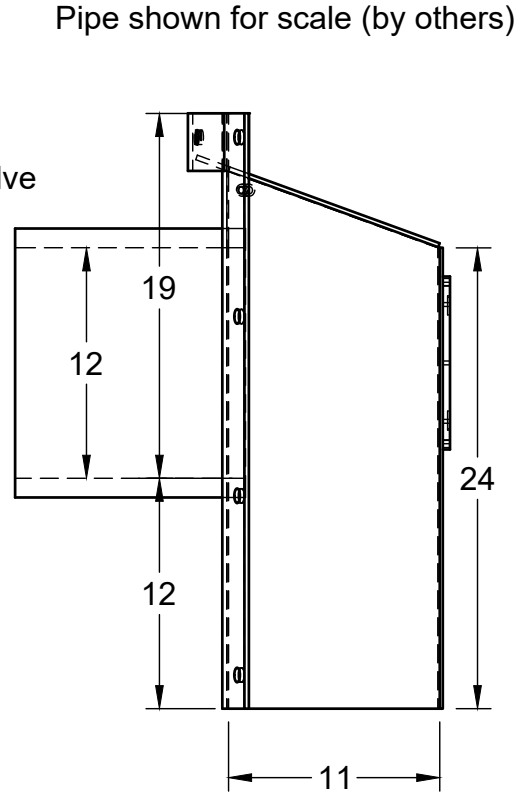
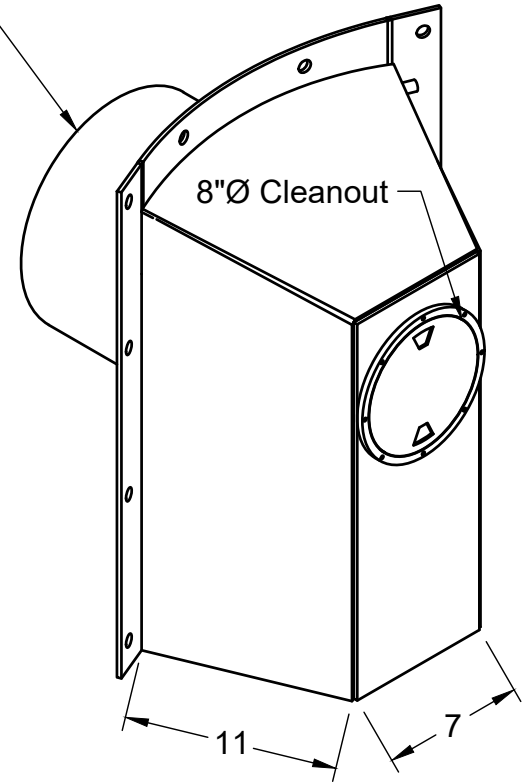


Front



Side



Isometric

Distributed by

| | | |
|----------------|------------------|------------|
| HydroPod 48R12 | | |
| Project | 48" Ø - 12" Pipe | |
| Location | | |
| Date | 11/7/2023 | SCALE 1:10 |
| | | REV 1.0 |

